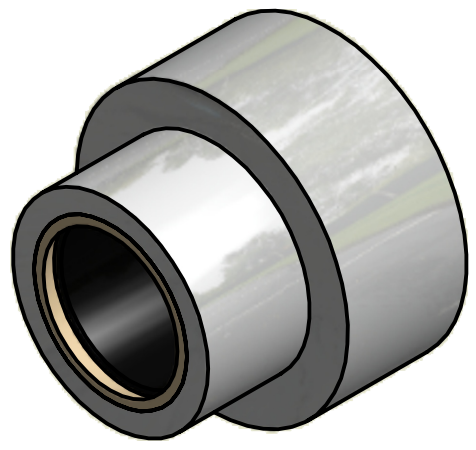
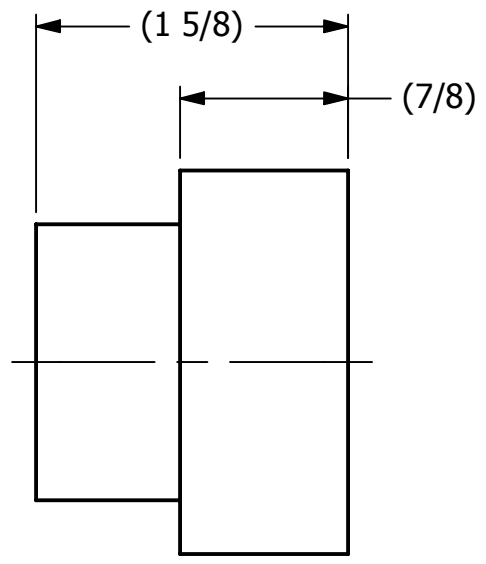
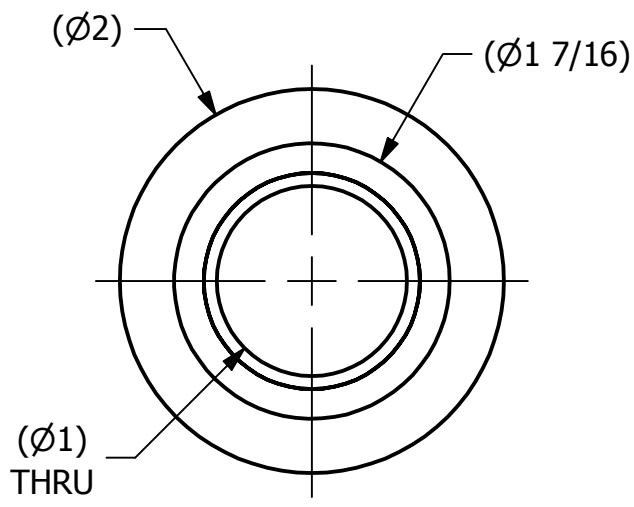


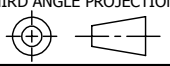
SALES DRAWING

SALES DRAWING



ISOMETRIC VIEW

UNLESS OTHERWISE SPECIFIED  
DIMENSIONAL TOLERANCES  
FRACTIONAL: ±1/16  
X.XX: ±.03  
X.XXX: ±.015  
ANGULAR: ±1°  
DEBURR ALL SHARP EDGES.  
ALL MACHINED SURFACES TO  
HAVE A 125 RMS FINISH  
UNLESS NOTED OTHERWISE.



DRAWN BY:	BRW
CHECKED BY:	
PROTOTYPE BY:	BRW
PROTOTYPE DATE:	8/31/1994
APPROVED FOR PRODUCTION BY:	BRW
PRODUCTION DATE:	8/31/1994

REV	BY	DATE	DESCRIPTION
PART NAME: <b>#7 RETAINER BUSHING ASSEMBLY</b>			
MATERIAL: <b>ALUMINUM / DELRIN / LDPE</b>			
PROJECT #:		SHEET #: <b>1 OF 1</b>	SCALE: <b>1:1</b>
DRAWING #: <b>A7458</b>		PART #: <b>RBMM7A</b>	

THIS PRINT, PROPERTY OF SALCO PRODUCTS INC, CONTAINS PROPRIETARY INFORMATION AND MUST NOT BE COPIED, REPRODUCED, OR USED DETRIMENTALLY TO OUR INTEREST.